



INF (V/T) 1000°C

1/2

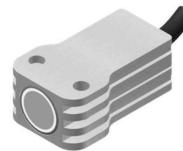
Analog brake disc temperature sensor Rectangular or Threaded cylinder

Range	0 to 1000°C
Accuracy	1% FS
Resolution at 1000°C	15 mV/°C
Response time	50 ms
Supply voltage	5 to 16V
Supply current	1.5 mA
Output signal	0 – 5 V
Measurement distance	30 to 100 mm
Emissivity	99%
Field of view (90% radiation)	5 : 1 at 50mm
Wave length	8 to 14 μm
Operating temp	-20 to +100°C
Storage temp	-40 to +125°C
Red	5 - 16V
White	Signal
Blue (or Black)	0 V
Braid	Not connected

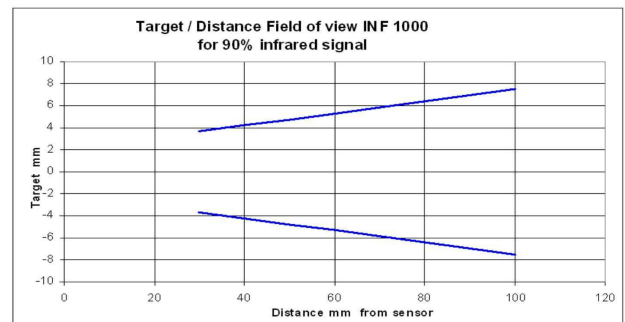
1 m cable of 3X26AWG FEP
tinned copper braided cable 250V 200°C

Ordering ref
INF - range - 1000
T
V

"T" type



"V" type



Calibration table		
° C	Volts / Steel	Volts / Carbon
0	0.00	0.00
100	0.02	0.02
200	0.07	0.08
300	0.14	0.18
400	0.27	0.36
500	0.49	0.63
600	0.84	1.03
700	1.34	1.60
800	2.02	2.37
900	2.89	3.39
1000	4.01	4.71



INF (V/T) 1000°C

Analog brake disc temperature sensor

Rectangular or Threaded cylinder

2/2

Housing
"T" type
"V" type

Aluminium
27x17x11 mm
M12x1x length 32 mm

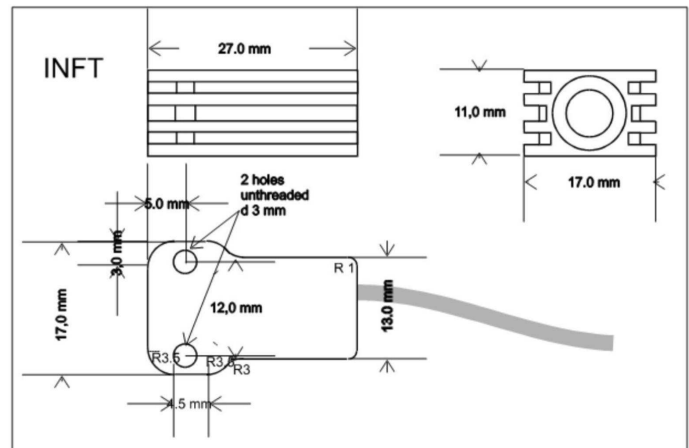
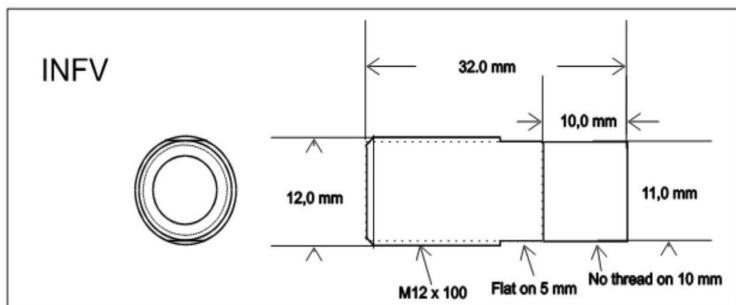
"T" type

"V" type

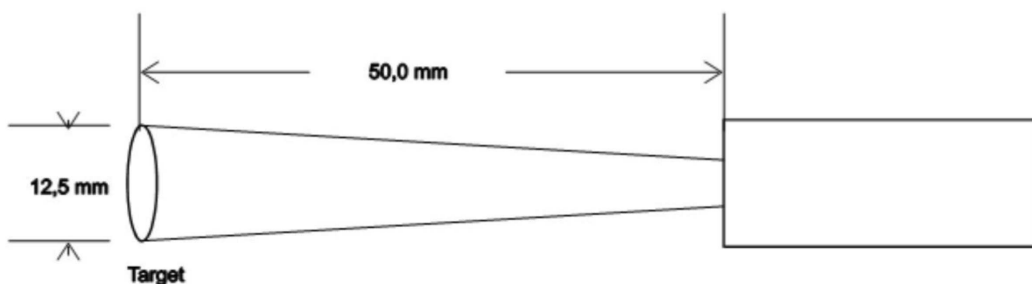


Weight (without cable)

15 g



Mounting



**TEXYS
INTERNATIONAL**
ZA des Chamonds
Rue Edouard Branly
58640 Varennes-Vauzelles
(FRANCE)
Tel. : +33 (0) 3 86 21 27 18
Fax : +33 (0) 3 86 21 24 49

texense
world pro by TEXYS



INF (V/T)1200°C

1/2

Analog brake disc temperature sensor Rectangular or Threaded cylinder

Range	0 to 1200°C
Accuracy	1% FS
Resolution at 1200°C	9 mV/°C
Response time	50 ms
Supply voltage	5 to 16V
Supply current	1.5 mA
Output signal	0 – 5 V
Measurement distance	30 to 100 mm
Emissivity	99%
Field of view (90% radiation)	5 : 1 at 50mm
Wave length	8 to 14 μm
Operating temp	-20 to +100°C
Storage temp	-40 to +125°C

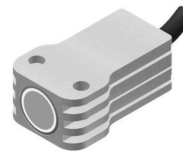
1 m cable of 3X26AWG FEP
tinned copper braided cable 250V 200°C

Ordering ref
INF - range - 1200

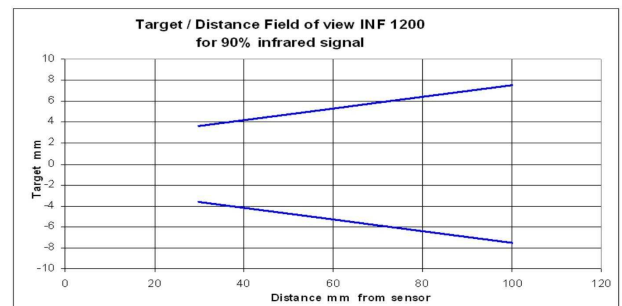
T
V

Red	5 - 16V
White	Signal
Blue (or Black)	0 V
Braid	Not connected

"T" type



"V" type



Calibration table		
° C	Volts / Steel	Volts / Carbon
0	0,00	0,00
100	0,01	0,01
200	0,04	0,05
300	0,08	0,11
400	0,17	0,21
500	0,30	0,37
600	0,50	0,61
700	0,78	0,94
800	1,17	1,40
900	1,69	2,00
1000	2,37	2,78
1100	3,24	3,76
1200	4,34	4,99



2/2

INF (V/T)1200°C

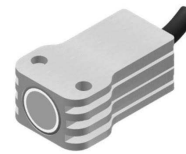
Analog brake disc temperature sensor Rectangular or Threaded cylinder

Housing
"T" type
"V" type

Aluminium
27x17x11 mm
M12x1x length 32 mm

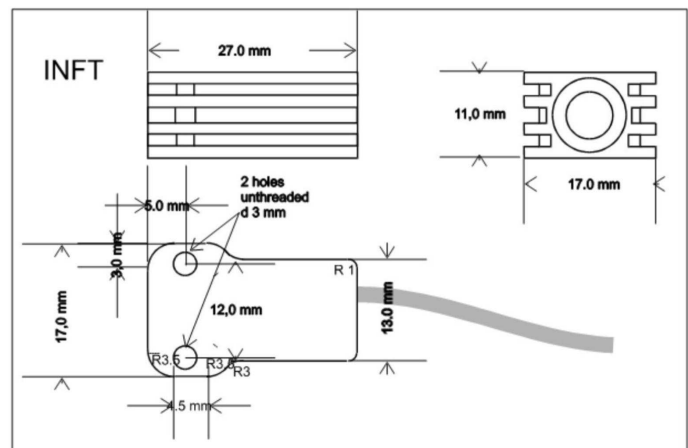
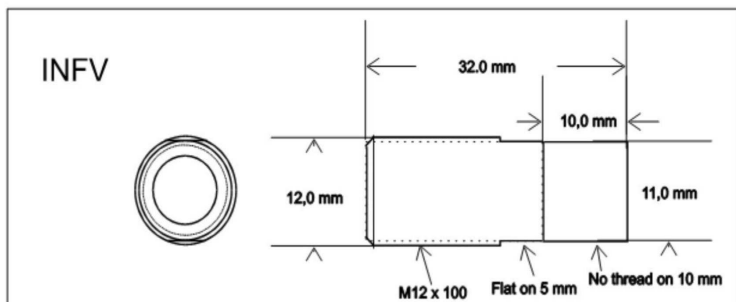
"T" type

"V" type



Weight (without cable)

15 g



Mounting

