



GSTN6 - Gear shift device M6 Tension/compression sensor with analog and ON/OFF outputs



Range ± 1000 N
Overload ± 1500 N
Accuracy $\pm 5\%$ FS

Supply voltage 5 to 16V
Supply current 8 mA
Analog signal (white wire) 0 – 5 V
Offset (no force) 2.5 V \pm 25 mV
Cut off frequency 30 Hz
On/Off output (green wire) NPN Open collector, normally open, max 16V, 20 mA

Debounce time 30 msec

Offset drift with temperature < 10 mV

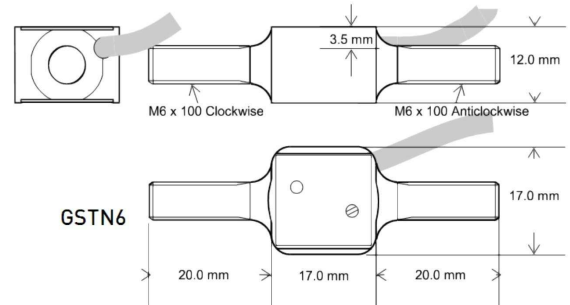
Housing Stainless steel
Dimension 57x 12 mm
Weight (without cable) 30 g
Protection IP 63

Vibration test 20 Gpp 5'
Shock 500 G

Operating temp 0 to + 85 °C
Storage temp -20 to +125 °C

Red Supply
Black 0 V
White Analog signal 0 – 5 V
Green On/off signal
NPN open collector
Connected to case

1 m cable of 4X26AWG FEP
tinned copper braided cable 250V 200°C



Calibration table	
Force (Newtons)	Signal (analog output)
-300	1,8 V
0	2,5 V
+300	3,2 V

A switch board is available at Texys to help the setting operations

