

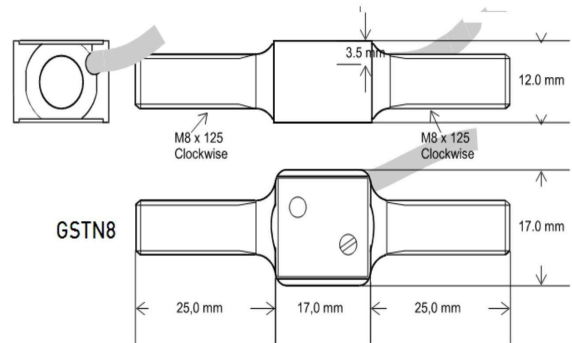


GSTN8 - Gear shift device M8 Tension/compression sensor with analog and ON/OFF outputs

Range	± 1000 N
Overload	± 1500 N
Accuracy	± 5 % FS
Supply voltage	5 to 16V
Supply current	8 mA
Analog signal (white wire)	0 – 5 V
Offset (no force)	2.5 V \pm 25 mV
Cut off frequency	30 Hz
On/Off output (green wire)	NPN Open collector, normally open, max 16V, 20 mA
Debounce time	30 msec
Offset drift with temperature	< 10 mV
Housing	Stainless steel
Dimension	67x 12 mm
Weight (without cable)	30 g
Protection	IP 63
Vibration test	20 Gpp 5'
Shock	500 G
Operating temp	0 to + 85 °C
Storage temp	-20 to +125°C

Red	Supply
Black	0 V
White	Analog signal 0 – 5 V
Green	On/off signal
Braid	NPN open collector Connected to case

1 m cable of 4X26AWG FEP
tinned copper braided cable 250V 200°C



Calibration table	
Force (Newtons)	Signal (analog output)
-300	1,8 V
0	2,5 V
+300	3,2 V

A switch board is available at Texys to help the setting operations

