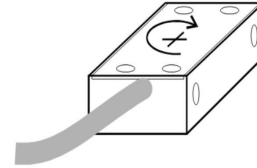


GYRP-1 Axis

1 axis gyroscope



Range
Accuracy
Sensitivity
Cut off frequency 1st order

$\pm 50, \pm 100, \pm 150$ °/s
2 %
40, 20, 13.3 mV/°/s
50 Hz

Supply voltage
Supply current
Linear analog output
Output signal °/sec
Output impedance

5 to 16 V
5 mA
0 – 5 V
 2.5 ± 0.1 V
47 Ω

Zero drift (20 to 80°C)
Gain drift (20 to 80°C)

25 mV
 ± 1 %

Dimension
Material
Weight
Protection

25x16x8 mm
Aluminium
15 g
IP66

Vibration test
Shock

20 Gpp 5'
500 G

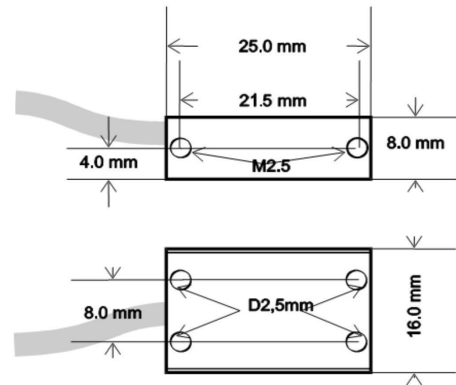
Operating temp
Storage temp

-40 to +105°C
-40 to +125°C

1 m cable of 3X26AWG FEP
tinned copper braided cable 250V 200°C

Red
Black
White
Braid

Supply
0 V
Signal
Not connected



Calibration table			
°/s	± 50 °/s 40mV/°/s	± 100 °/s 20mV/°/s	± 150 °/s 13,3mV/°/s
-150			0,5
-100		0,5	1,17
-50	0,5	1,5	1,83
0	2,5	2,5	2,5
+50	4,5	3,5	3,17
+100		4,5	3,83
+150			4,5

Out of Range

Examples of inertial units with Texense Gyros and Accelerometers



Ordering ref	ex : GYRP-100
GYRP -	Range
	50(°/s)
	100(°/s)
	150(°/s)