

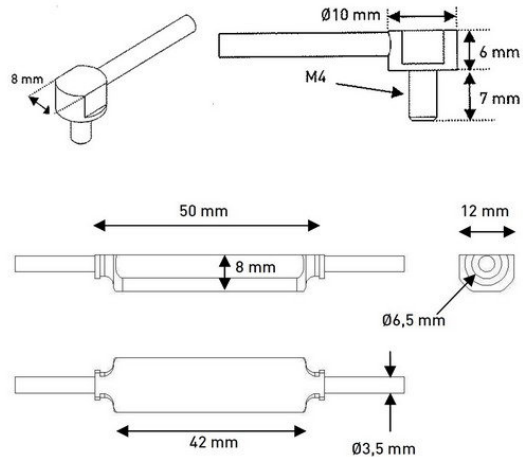


Caliper temperature kit (fit on Brembo and AP Racing)



M4 temperature probe

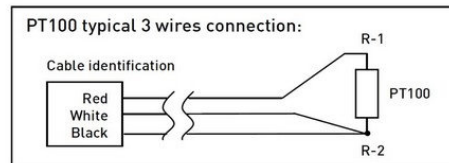
Sensitive Element	PT100
Resistance	In Ω
Range	-50 to +200°C
Accuracy	Class 1/3 for PT100
Material	Brass
Protection	IP 66
Vibration test	20 Gpp 5'
Shock	500 G
Operating temp	-50 to +200°C
Storage temp	-50 to +200°C



Amplifier for RTD probe

Range	-100 to +270°C
Type	PT100 (RTD)
Accuracy	0.075 % FS at ambient 25°C 0.1 %FS on total operating temp
Sensitivity	Linear. See calibration table
Supply voltage	6 to 30V
Supply current	3 mA
Output voltage	0 to 5V
Dimension	50x12x8 mm
Weight	9g
Protection	IP 64
Vibration test	20 Gpp 5'
Shock	500 G
Operating temp	-40 to +125°C
Storage temp	-40 to +125°C

Target °C	-50 to +200 16mV/°C	-100 to +270 11mV/°C	-100 to +400 8mV/°C
-100		0.4	0.7
-50	0.7	0.95	1.1
0	1.5	1.5	1.5
50	2.3	2.05	1.9
100	3.1	2.6	2.3
150	3.9	3.15	2.7
200	4.7	3.7	3.1
250		4.25	3.5
300			3.9
400			4.7



The connection between the amplifier and the probe has to be made by wires color. The junction R-2 is already made inside the temperature probe so no need to do it at the connection.

Supply side

Red	Supply
Black	0 V
White	Signal
Braid	Not connected

Probe side

Red	R-1
Black	R-2
White	R-2
Braid	Not connected

Ordering ref	ex: APTAB-100-270
APTAB - Type - Range	
100	200
500	270
1000	400

APTAB-100-270 is the std for caliper but other ranges are available for other applications:
-50 to +200°C
-100 to +400°C

In the interest of continuous product improvement, we reserve the right to alter without prior notice the specifications and features described in this document.