



INF (V/T) 150°C

Analog tyre temperature sensor

Rectangular or Threaded cylinder

1/2

Range 0 to 150°C
Accuracy 2% FS
Resolution at 150°C 50 mV/°C
Response time 50 ms

Supply voltage 5 to 16V
Supply current 1.5 mA
Output Signal 0 – 5 V

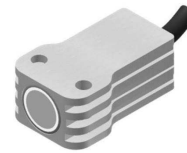
Measurement distance 30 to 150 mm
Emissivity 99%
Field of view (90% radiation) 4 : 1 at 50mm
Wave length 8 to 14 µm

Operating temp -20 to +100°C
Storage temp -40 to +125°C

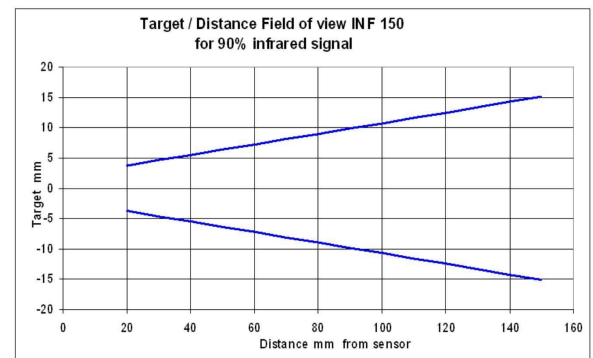
Red 5 - 16V
White Signal
Blue (or Black) 0 V
Braid Not connected

1 m cable of 3X26AWG FEP
 tinned copper braided cable 250V 200°C

"T" type



"V" type



Calibration table	
° C	Volts
0	0.50
20	0.81
40	1.19
60	1.65
80	2.20
100	2.85
120	3.61
140	4.50

Ordering ref
INF - range - 150

T
V

In the interest of continuous product improvement, we reserve the right to alter without prior notice the specifications and features described in this document.



INF (V/T) 150°C

Analog tyre temperature sensor

Rectangular or Threaded cylinder

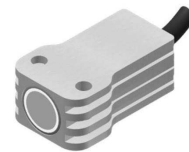
2/2

Housing
"T" type
"V" type

Aluminium
27x17x11 mm
M12x1x length 32 mm

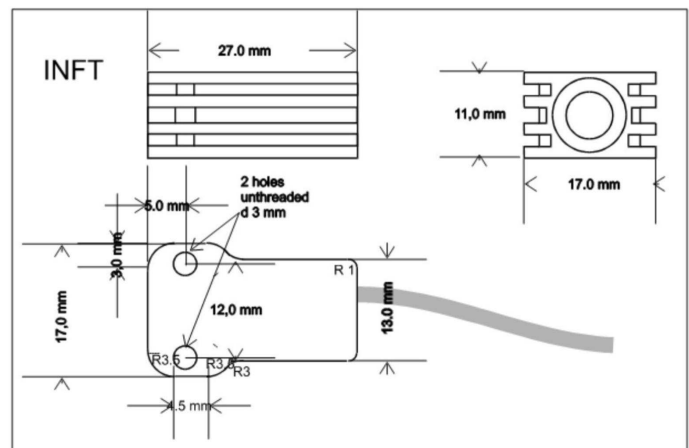
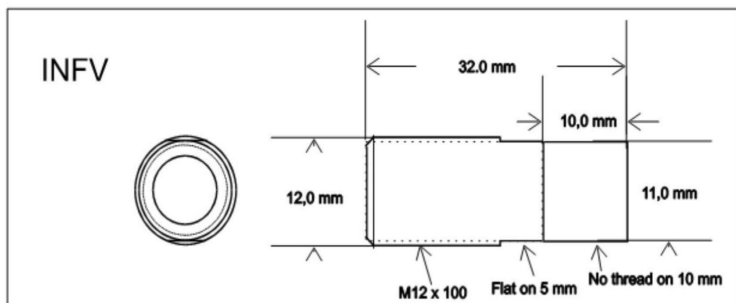
"T" type

"V" type

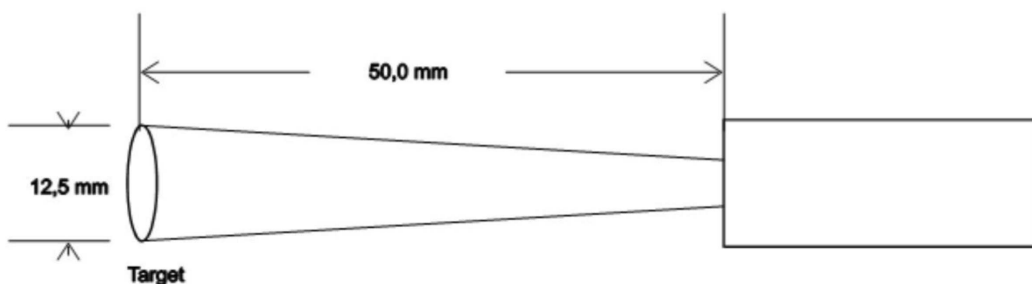


Weight (without cable)

15 g



Mounting



In the interest of continuous product improvement, we reserve the right to alter without prior notice the specifications and features described in this document.