

1/2

# IRN8C

## 8-Channel Infrared tyre temperature sensor for CAN Bus

**Range**

-20 to +140°C  
-20 to + 200°C

**Measurement Accuracy**

8 channels in line  
+/- 1 % FS

**Response time**

260 ms at FS  
(=400 ms on raw input)

**CAN bus 2.0 B**

120 Ω not installed (on demand)

**Output data**

2 bytes per channel (signed int)

**Resolution**

0.1 °/bit

**Baud rate**

125 k to 1Mbps

**Frequency**

1 Hz, 10 Hz, on trigger

**Supply voltage**

6 to 16V

**Supply current**

17 mA

**Measurement distance**

200 to 700 mm

**Mean angle between channels**

4.5 °

**Field of view (90% radiation)**

6.5 : 1 (30mm at 200mm)

**Wave length**

8 to 14 μm

**Emissivity/distance tuning**

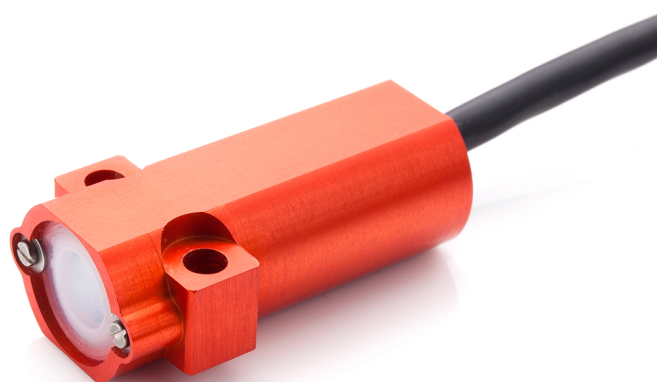
Gain factor by CAN 0.5 to 2

**Operating temp**

-20 to + 100°C

**Storage temp**

-40 to + 125°C



Distance	Øtarget per channel	Total width
200 mm	30 mm	152 mm
300 mm	45 mm	228 mm
400 mm	60 mm	304 mm
500 mm	75 mm	380 mm
600 mm	90 mm	456 mm
700 mm	105 mm	532 mm

**lens 0°**

Ordering ref ex : IRN8C-F2-200  
IRN8C-F1 - Range  
200 (200°C)  
140 (140°C)

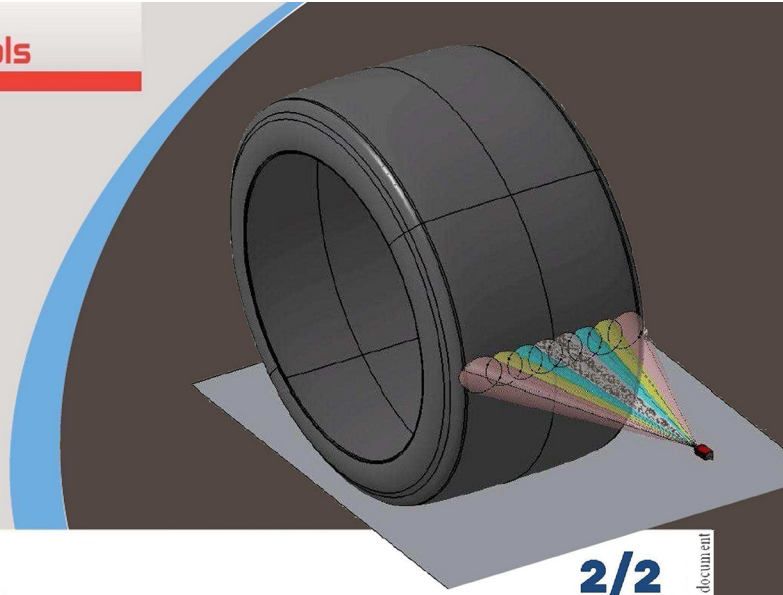
1 m cable of 4X26AWG FEP  
tinned copper braided cable 250V 200°C

**Red** Supply  
**Black** 0 V  
**Green** CAN High  
**White** CAN Low  
**Braid** Not connected

In the interest of continuous product improvement, we reserve the right to alter without prior notice the specifications and features described in this document.

**TEXYS INTERNATIONAL**  
ZA des Chamonds  
Rue Edouard Branly  
58640 Varennes-Vauzelles  
(FRANCE)

Tel. : +33 (0) 3 86 21 27 18  
Fax : +33 (0) 3 86 21 24 49



# IRN8C – lens 0°

## 8-Channel Infrared tyre temperature sensor for CAN Bus

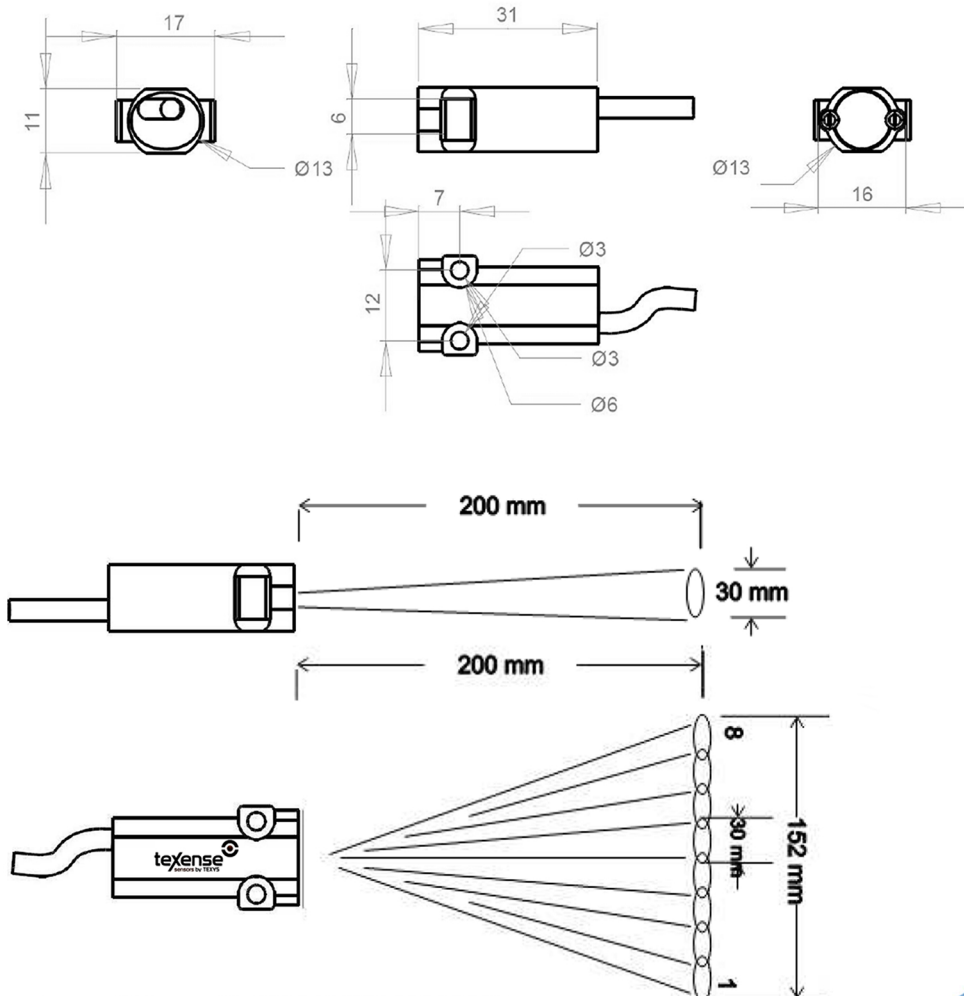
### Housing Dimensions

Aluminium

31x11x17 mm

Weight (without cable)

15 g



In the interest of continuous product improvement, we reserve the right to alter without prior notice the specific catious and features described in this document