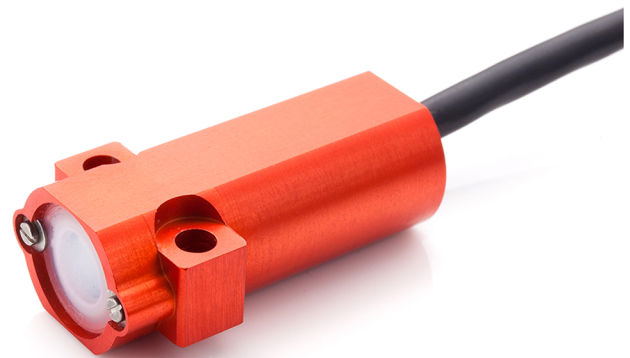


# IRN4C

## 4-Channel Infrared tyre temperature sensor for CAN Bus

1/2

<b>Range</b>	-20 to +140°C -20 to + 200°C
<b>Measurement Accuracy</b>	4 channels in line +/- 1 % FS
<b>Response time</b>	260 ms at FS (=400 ms on raw input)
<b>CAN bus 2.0 B</b>	120 Ω not installed (on demand)
<b>Output data</b>	2 bytes per channel (signed int)
<b>Resolution</b>	0.1 °/bit
<b>Baud rate</b>	125 k to 1Mbps
<b>Frequency</b>	1 Hz, 10 Hz, on trigger
<b>Supply voltage</b>	6 to 16V
<b>Supply current</b>	17 mA
<b>Measurement distance</b>	50 to 400 mm
<b>Mean angle between channels</b>	9° channel 1to 3 & 6 to 8 13.5° channel 3 to 6
<b>Field of view (90% radiation)</b>	6.5 : 1 at 200 mm 3.3 : 1 at 50 mm
<b>Wave length</b>	8 to 14 μm
<b>Emissivity/distance tuning</b>	Gain factor by CAN 0.5 to 2
<b>Operating temp</b>	-20 to + 100°C
<b>Storage temp</b>	-40 to + 125°C



Distance	Ø target per channel	Total width
50 mm	15 mm	40 mm
100 mm	19 mm	75 mm
150 mm	24 mm	112 mm
200 mm	30 mm	152 mm
300 mm	45 mm	228 mm
400 mm	60 mm	304 mm

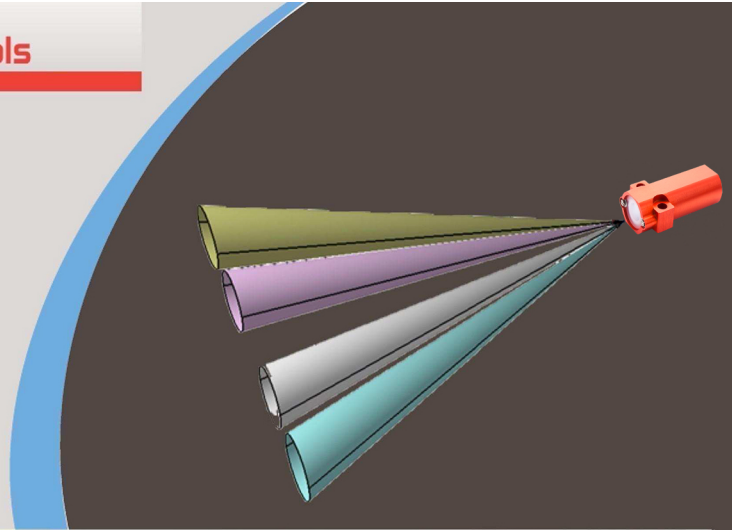
lens 0°

Ordering ref	ex : IRN4C-F2-200
IRN4C- F1 - Range	
200 (200°C)	
140 (140°C)	

1 m cable of 4X26AWG FEP  
tinned copper braided cable 250V 200°C

<b>Red</b>	Supply
<b>Black</b>	0 V
<b>Green</b>	CAN High
<b>White</b>	CAN Low
<b>Braid</b>	Not connected

In the interest of continuous product improvement, we reserve the right to alter without prior notice the specific catious and features described in this document



# IRN4C

## 4-Channel Infrared tyre temperature sensor for CAN Bus

2/2

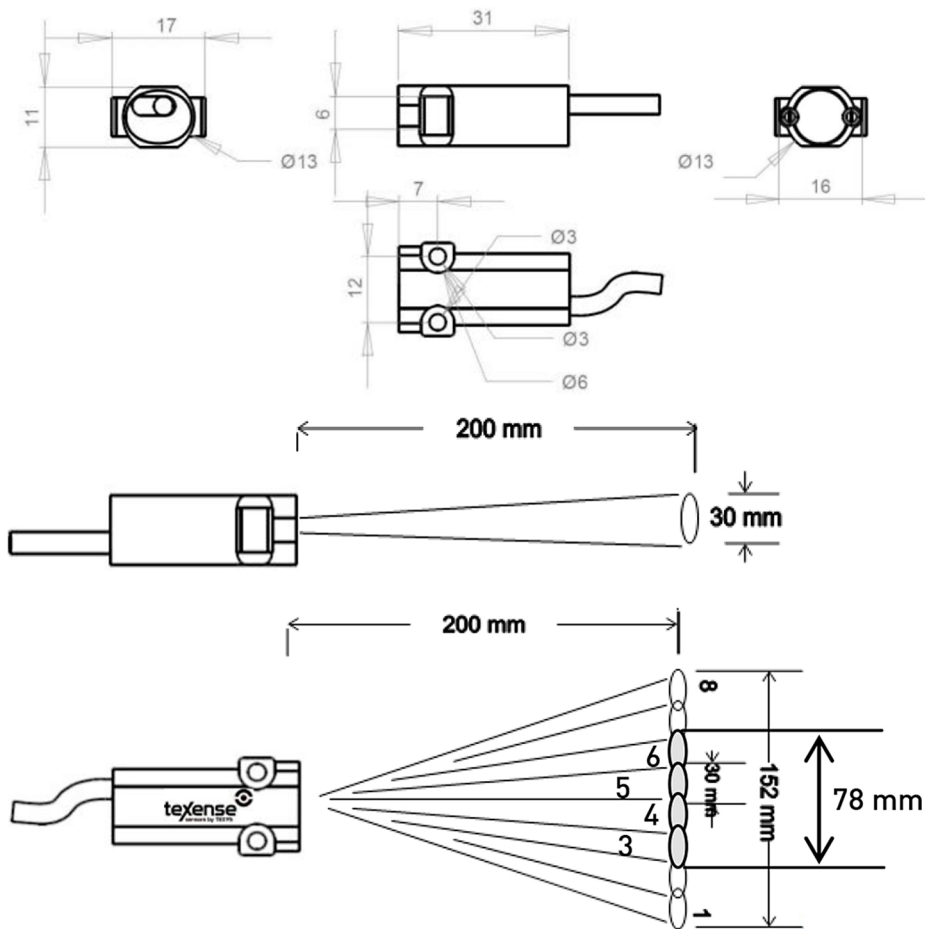
### Housing Dimensions

Aluminium

31x11x17 mm

Weight (without cable)

15 g



In the interest of continuous product improvement, we reserve the right to alter without prior notice the specific citations and features described in this document.