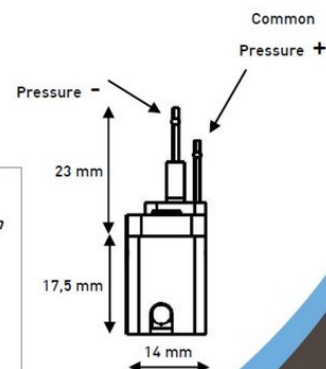
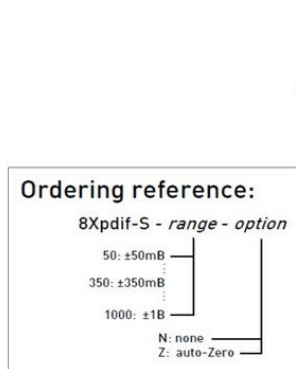
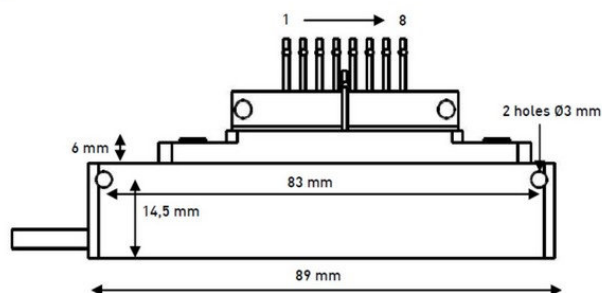
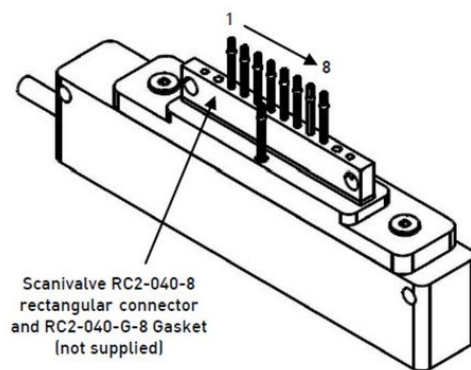




8xPDIF-S

8-Channel differential pressure sensor for CAN Bus with Scanivalve connectors

Range	+/- 50 to +/- 1000 mBars
Sensitivite element	+/- 0.7 to +/- 15 Psi
Accuracy at FS	Piezzo resistive cells
Non linearity/Hysteresis	+/- 0.5 % FS
Offset drift	+/- 0.7 % FS
Sensitivity drift	+/- 0.5 % FS
Sampling Frequency SF	0.5 %
	200 Hz
CAN bus 2.0A	120 Ω, not installed (on demand)
Output data	Calibrated pressure : 2 bytes per channel (signed int)
Unit	1 mPSI/bit
	0.1 mBar/bit
Baud rate	125k to 1 Mbps
Data frequency	1 to 200 Hz or on trigger
Supply voltage	6 to 16V
Supply current	30 mA
Dimension	89x35x14 mm
Material	Aluminium
Weight	20 g
Vibration test	20Gpp 5'
Shock	500 G
Operating temp	5 to +85 °C
Storage temp	-40 to +125 °C



1 m cable of 5X26AWG FEP
tinned copper braided cable 250V 200°C

Red Supply
Black 0V
Green CAN High
White CAN Low
Braid -

In the interest of continuous product improvement, we reserve the right to alter without prior notice the specifications and features described in this document.