

# THNF4x-C

## 4 ch digital TC Conditioner , CAN bus

### 250Hz Sampling Frequency per channel

**Range** -100°C min, 1800°C max  
**Type** B, E, J, K, N, R, S, T  
**Sampling frequency per ch.** 250 Hz  
**Sampling error** 0.2 %FS max  
**Cold junction error** ± 0.25°C

**CAN Bus** 2.0A  
**CAN Bus termination** R=120Ω, Switchable via CAN Bus  
**Output data** 2 bytes per channel (signed int)  
**Resolution** 0.1 °/bit  
**Accuracy** ± 0.5°C  
**Baud rate** 125k to 1Mbps  
**Calibrator** Calog Temperature  
**Supply voltage** 6 to 25 V  
**Supply current** <25 mA

**Dimension** 92.7x16x22 mm  
**Material** Aluminum  
**Weight** 65g  
**Protection** IP 53

**Operating temp** -40 to +125°C  
**Storage temp** -40 to +125°C

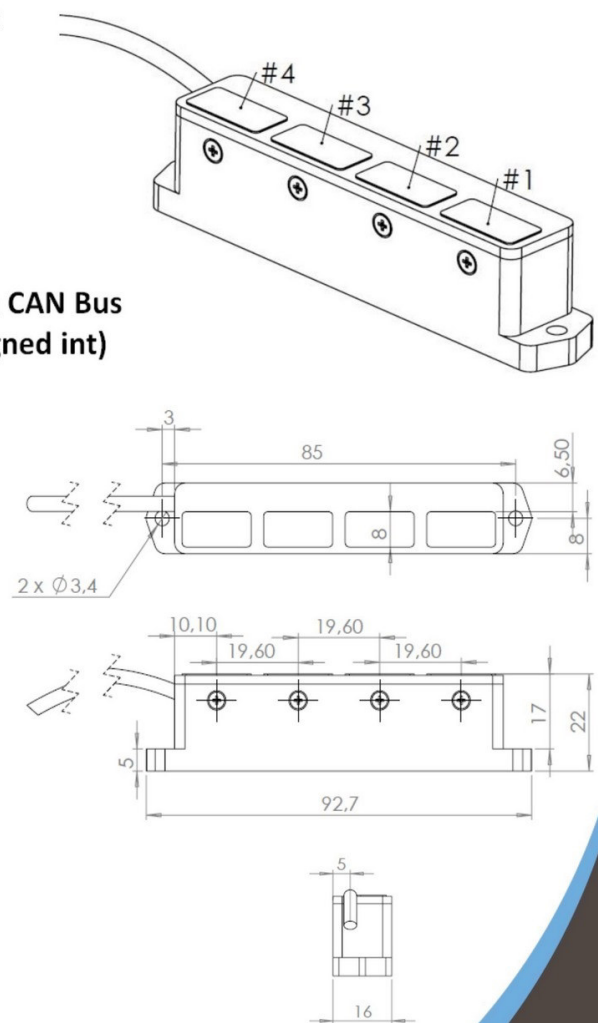
1 m cable of 4X26AWG FEP tinned copper braided cable 250V 200°C

**Red** Supply  
**Black** 0 V  
**Green** CAN High  
**White** CAN Low  
**Yellow** Not connected  
**Braid**

Ordering ref:

THNF4x-C-	Type	Range
	K	-20+200
	J	-40+400
	T	0+1800
	...	...

Ex: THNF4x-C-K-50+250 → type K, -50 to +250°C



In the interest of continuous product improvement, we reserve the right to alter without prior notice the specific catrons and features described in this document

**TEXYS**  
**INTERNATIONAL**  
 ZA des Chamonds  
 Rue Edouard Branly  
 58640 Varennes-Vauzelles  
 (FRANCE)

Tel. : +33 (0) 3 86 21 27 18  
 Fax : +33 (0) 3 86 21 24 49