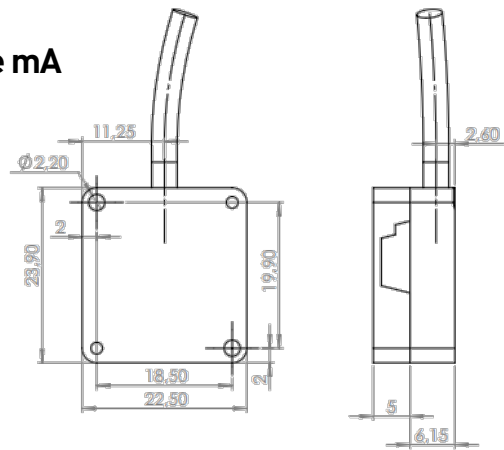


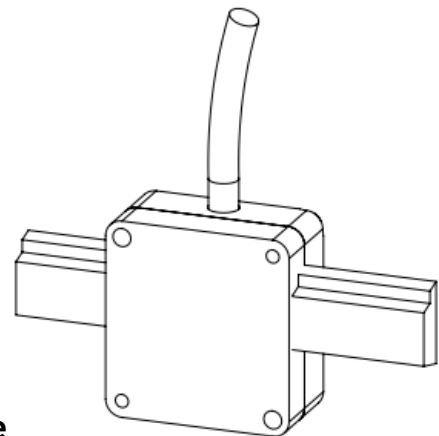
MB-Flex

Master for multi-beam flexible system

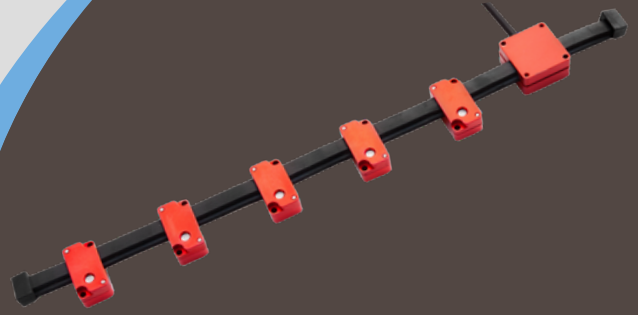
| | |
|-----------------------|-------------------------------|
| Supply voltage | 6 to 16 V |
| Supply current | 14 + 2 per connected slave mA |
| Dimension | 11.15 x 22.5 x 23.9 mm |
| Material | Aluminium |
| Weight | 40 g |
| Protection | IP64 |
| Vibration test | 20 Gpp5' |
| Shock | 500 G |
| Operating temperature | - 20 to + 85°C |
| Storage temperature | - 40 to + 125 °C |



| | |
|-------------|--|
| CAN type | 2.0 A or B |
| Output Data | Target & Ambient Temp |
| Resolution | 0.1 °/bit |
| Parameters | CAN type / Baud rate / Frequency / Identifiers / Termination resistors |
| Baud rate | 125 k to 1 Mbps |
| Frequency | 1 Hz to 10 Hz or request mode |



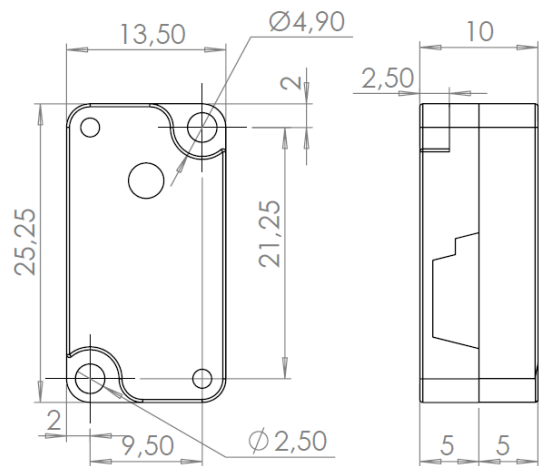
| Colour | Function |
|--------|----------------------------|
| Red | Supply |
| Black | 0V |
| White | CAN Low |
| Green | CAN High |
| Yellow | Do not connect and isolate |
| Braid | |



MB-Flex

IR sensor for multi-beam flexible system

| | |
|---------------------------------|------------------|
| Range | - 20 to + 200 °C |
| Accuracy at FS | ± 1 % FS |
| Response time of cells | 20 ms |
| Sampling frequency | 50 Hz |
| Output frequency | 10 Hz |
| Sensitive Element | Thermopile |
| Wave length | 8 to 14 μm |
| Calibrator | Fluke 4181 |
| | |
| FOV for receiving 90% radiation | 30° or 90° |
| | |
| Material | Aluminium |
| Protection | IP64 |
| Operating temperature | - 20 to + 85 °C |
| Storage temperature | - 40 to 125 °C |



Ordering ref

MB-Flex-S-FOV

30: 30°

90: 90°

ex : MB-Flex-S-30

