

AMPT-2L-FB

Digitally controlled remote strain gauge amplifier (XN4)
Full bridge version

SN: X#####

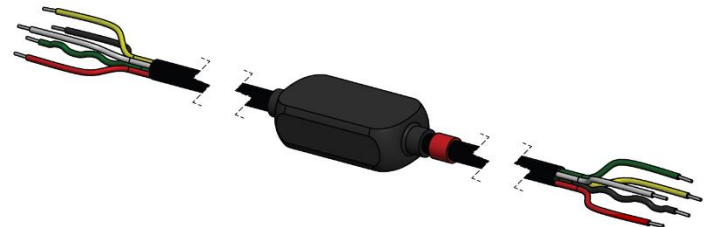
Texense sensors are designed for data logging. Should the users want to include this sensor in a closed loop system, they must undertake total responsibility from doing so.

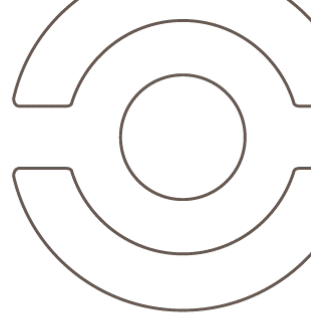
Measurement features			
Bridge gauge impedance		350 to 1000	Ω
Max recommended unbalance	350 Ω gauge	2	mV
	1000 Ω gauge	3.5	
Offset drift with temperature		<10	mV
Gain drift with temperature		<0.2	%
Bridge supply voltage		5	V
Analog output			
Output signal		0 to 5	V
Filter		1 pole filter	
Cut-off frequency at -3dB	Default	90	Hz
	On request	Up to 9000	
Digital communication			
The digital wire Tx/Rx enables to set the following parameters			
Offset		0 to 5	V
Gain		71 to 1250	-
Gain compensation		-2000 to 2000	ppm/ $^{\circ}$ C
Electrical features			
Supply voltage		5.5 to 16	V
Supply current	amplifier alone	3.5	mA
	with 350 Ω bridge	18	
	with 1000 Ω bridge	9	
Output impedance		100	Ω
Mechanical features			
Dimensions		34 x 13.8 x 8.5	mm
Material		Aluminum	
Weight (without cable)		15	g
Environment			
Accuracy temperature		-20 to +125	$^{\circ}$ C
Operating temperature		-40 to +125	$^{\circ}$ C
Storage temperature		-40 to +125	$^{\circ}$ C
Protection		IP64	
Vibration test		20 Gpp 5'	
Shock		500	G

Date		Operator	
Customer			
Order			
Product Ref	AMPT-2L-FB-##		
SW version	V1.04		

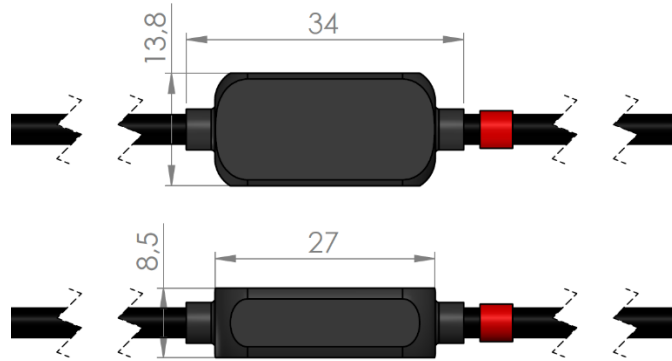
Readings (on a dummy gauge bridge)	
Output at 0mV input	Output at 10mV input
...V	...V

Software setup		
Offset	2.5	V
Gain	200	V/V
Gain compensation	-340	ppm/ $^{\circ}$ C





Mechanical drawing

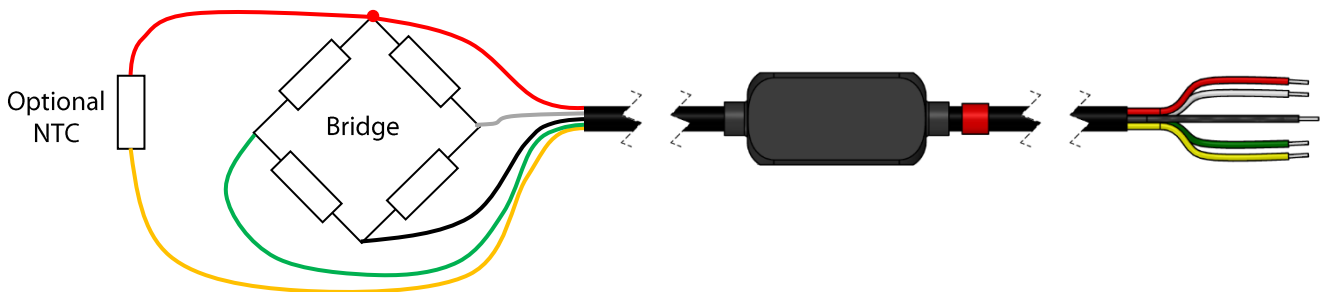


Wiring

Cable to gauge		
5x26 AWG FEP tinned copper braided cable 250V 200°C		
Length: 1000mm		Tubing: 50mm
Connector: on request		
Color	Function	Pin
Red	Excitation +	-
Black	Excitation -	-
White	Signal -	-
Green	Signal +	-
Yellow	NTC ⁽²⁾	-
Braid	Not connected	

(2) with external NTC (optional)

Cable to logger (with red label)		
5x26 AWG FEP tinned copper braided cable 250V 200°C		
Length: 1000mm		Tubing: 50mm
Connector: on request		
Color	Function	Pin
Red	Supply input	-
Black	0V	-
White	Signal	-
Green	Do not connect and isolate	-
Yellow	Tx/Rx	-
Braid	Not connected	



See XN4 specification and operating manual for more information

Ordering information

Ordering ref:

AMPT-2L – Bridge – Cut-off frequency at -3dB

FB: Full Bridge

40: 40Hz

90: 90Hz (default)

190: 190Hz

9000: 9kHz

Other on request

ex: AMPT-2L-FB-90